

FaceDeep 3 IRT

Smart Face Recognition Terminal with
Body Temperature Detection



Infrared Thermal
Temperature
Detection



Wi-Fi



4G



Mask
Detection



Cloud

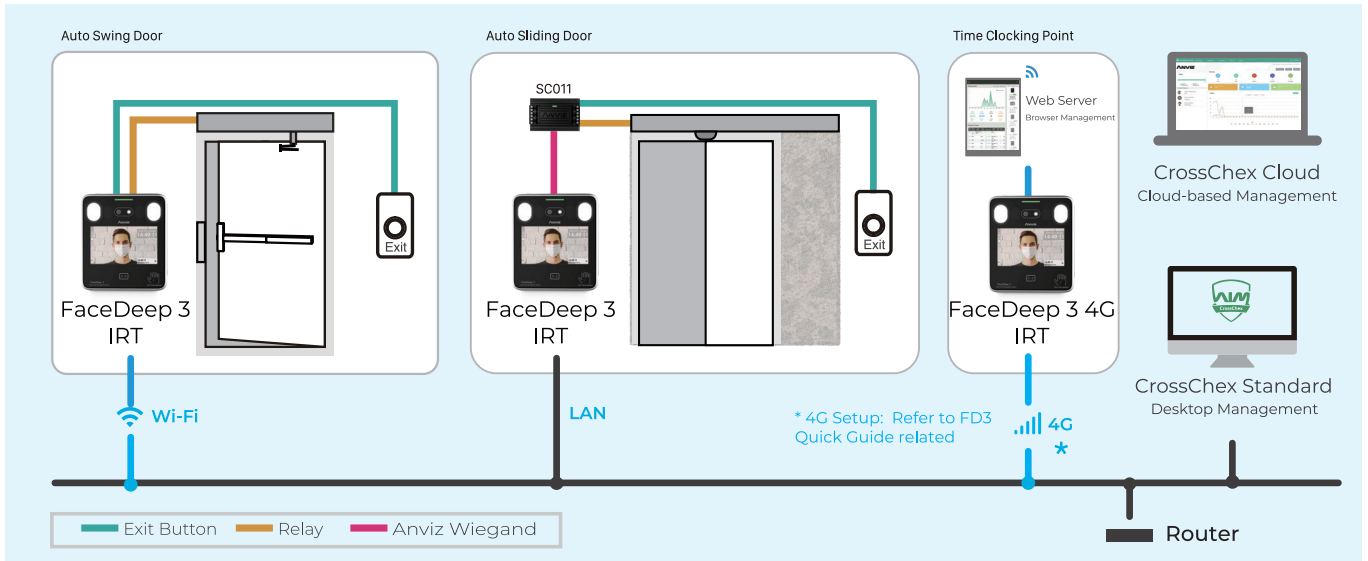


- FaceDeep 3 IRT with Body Temperature Detection technology, specifically designed for simultaneous personnel access authority.
- New ideal touchless solution for the people to access control on the entrance or record time attendance and simultaneously check temperature and mask-wearing without having to touch a terminal or gate.
- Equipped with a 5" IPS touch screen.
- Register up to 10,000 users for dynamic face authentication.
- Optional battery backup, specifically designed to work consistently in unstable power supply environments, such as construction sites, manufacturing, schools and buildings in countryside, etc.

FaceDeep 3 IRT

Smart Face Recognition Terminal with Body Temperature Detection

System Configurations



Key Specifications

Model		FaceDeep 3 IRT	FaceDeep 3 ProIRT	FaceDeep 3 4G IRT
General	Identification mode	Face, Card, ID+Password		
	Face Recognition Distance	0.5 ~ 1.5m (19.69 ~ 59.06")		
	Face Recognition Speed	<0.3 S		
	RFID Technology	125KHz EM	13.56MHz Mifare	13.56MHz Mifare
IRT (Palm Temperature Detection)	Detection Distance	10~20mm(0.39~0.79")		
	Temperature Range	23°C~46°C (73°F~114°F)		
	Temperature Accuracy*	±0.3°C (0.54°F)		
Capacity	Max Users	6,000	6,000 (Standard), 10,000 (Customized)	6,000 (Standard), 10,000 (Customized)
	Max Cards	6,000	6,000 (Standard), 10,000 (Customized)	6,000 (Standard), 10,000 (Customized)
	Max Logs	100,000		
Hardware	CPU	Dual 1.0GHz		
	Display	5" TFT touch Screen Resolution 720*1280		
	Working Temperature	-5°C~60°C (23°F~160°F)		
	Humidity	0% to 95%		
	Power Input	DC 12V 2A		
Interface	TCP/IP	√		
	RS485	√		
	USB PEN	√		
	Wi-Fi	√	-	-
	Wi-Fi+Bluetooth	-	√	-
	4G	-	-	√
	Relay	1 Relay Out		
	Tamper Alarm	√		
	Wiegand	1 In & 1 Out		
Door Contact	√			

*Disclaimer: Anviz's products listed herein are not designed for medical devices and not intended for use in the diagnosis of disease or other conditions. When configured correctly, Anviz's products listed herein can identify individuals with skin-surface temperature relative to a preset figure but should not be solely or primarily relied upon to diagnose any other disease. Anviz's products must be used in accordance with local laws and regulations.



Anviz Global Inc.

41656 Christy Street Fremont, Fremont, CA, 94538

Toll-free: 1-855-268-4948 | sales@anziv.com | www.anziv.com

©2021 Anviz Global Inc. Anviz and identifying product names and numbers herein are registered trademarks of Anviz Global Inc. All non-Anviz brands and product names are trademarks or registered trademarks of their respective companies. Product appearance, build status and/or specifications are subject to change without notice.